



# TAI-SAW TECHNOLOGY CO., LTD.

No. 3, Industrial 2nd Rd., Ping-Chen Industrial District,  
Taoyuan, 324, Taiwan, R.O.C.

TEL: 886-3-4690038 FAX: 886-3-4697532

E-mail: [tstsales@mail.taisaw.com](mailto:tstsales@mail.taisaw.com) Web: [www.taisaw.com](http://www.taisaw.com)

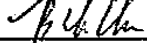
## Product Specifications Approval Sheet


Product Description: SAW Filter 2017.5 MHz SMD 3.0X3.0 mm

TST Part No.: TA1238A

Customer Part No.: \_\_\_\_\_

Customer signature required
Company: _____
Division: _____
Approved by: _____
Date: _____

Checked by: \_\_\_\_\_ Bob Chau 

Approved by: \_\_\_\_\_ Francis Chen 

Date: \_\_\_\_\_ 3, 8, 2011

1. Customer signed back is required before TST can proceed with sample build and receive orders.
2. Orders received without customer signed back will be regarded as agreement on the specifications.
3. Any specifications changes must be approved upon by both parties and a new revision of specifications shall be released to reflect the changes.



# TAI-SAW TECHNOLOGY CO., LTD.

No. 3, Industrial 2nd Rd., Ping-Chen Industrial District,  
Taoyuan, 324, Taiwan, R.O.C.

TEL: 886-3-4690038 FAX: 886-3-4697532

E-mail: [tstsales@mail.taisaw.com](mailto:tstsales@mail.taisaw.com) Web: [www.taisaw.com](http://www.taisaw.com)

## SAW Filter 2017.5 MHz

MODEL NO.:TA1238A

REV. NO.:1

### A. MAXIMUM RATING:

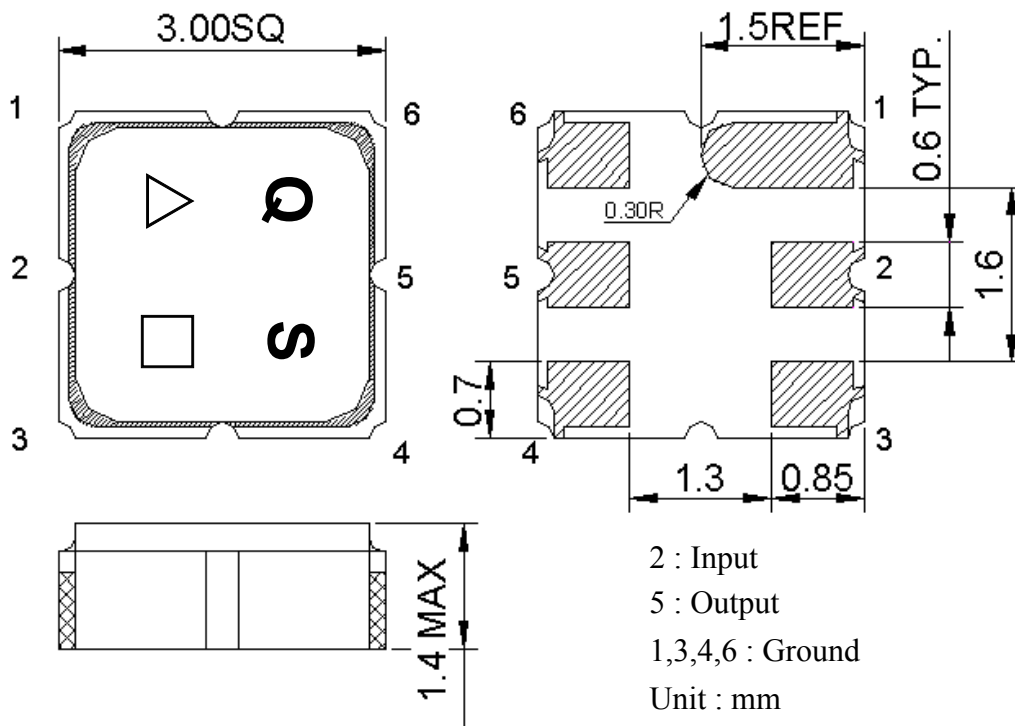
1. Input Power Level: +10 dBm
2. DC Voltage : 3V
3. Operating Temperature: -40°C to +85°C
4. Storage Temperature: -40°C to +95°C

RoHS Compliant  
Lead free  
Lead-free soldering

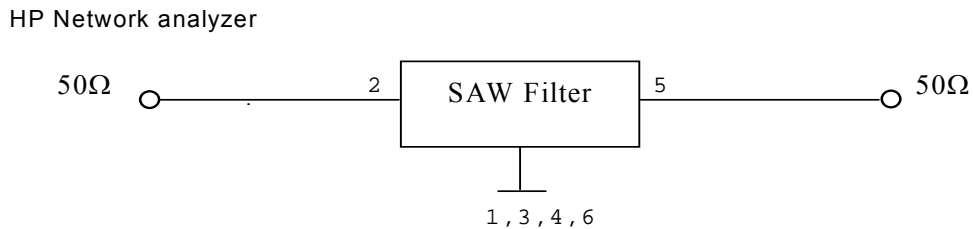
### B. ELECTRICAL CHARACTERISTICS:

Item	Unit	Min.	Type.	Max.	Note
<b>Center Frequency</b> <b>Fc</b>	MHz	-	2017.5	-	-
<b>Insertion Loss</b> (2010~2025 MHz) <b>IL</b>	dB	-	3.1	4.2	-
<b>Amplitude Ripple</b> (2010~2025 MHz)	dB	-	0.4	1.4	-
<b>Group Delay Ripple</b> (2010~2025 MHz)	ns	-	9	30	-
<b>VSWR</b> (2010~2025 MHz)		-	1.3	2.5	-
<b>Attenuation</b> (Reference level from 0 dB)					
1700 ~ 1785      MHz	dB	40	50	-	-
1800 ~ 1860      MHz	dB	45	51	-	-
1920 ~ 1980      MHz	dB	30	37	-	-
2045 ~ 2070      MHz	dB	6	33	-	-
2070 ~ 2085      MHz	dB	15	54	-	-
2170 ~ 4000      MHz	dB	30	33	-	-

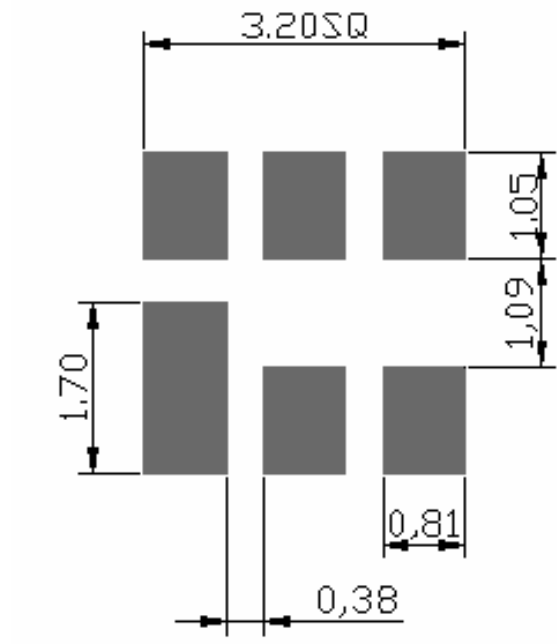
**C.OUTLINE DRAWING:**



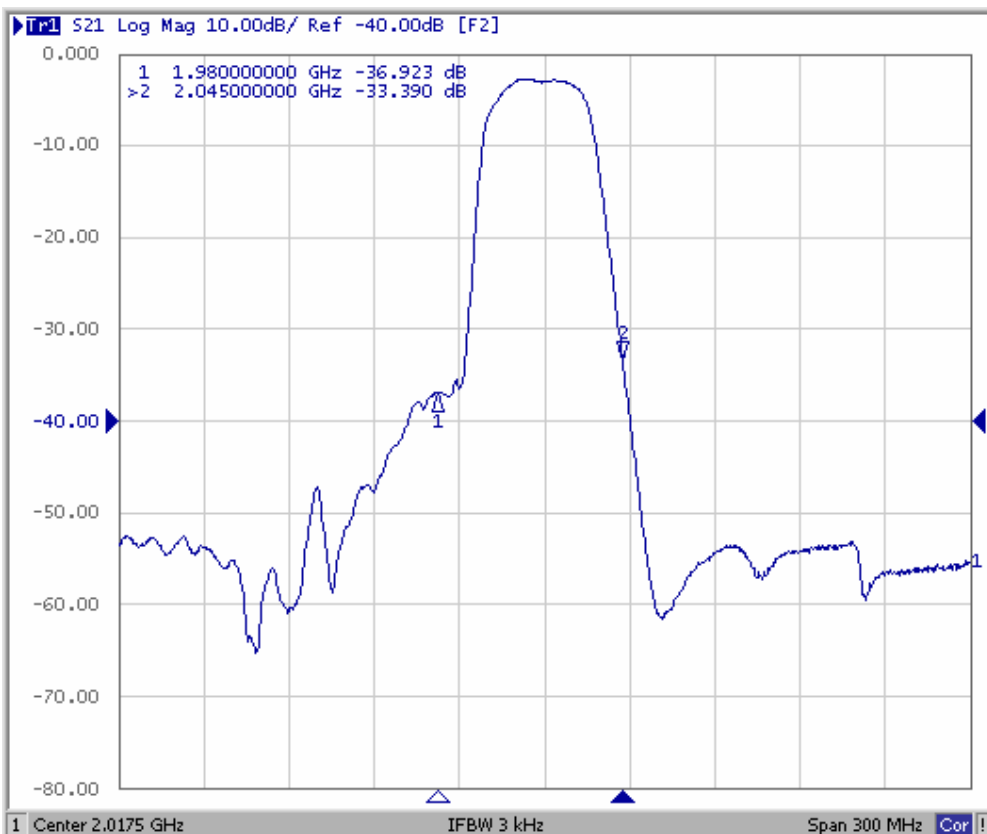
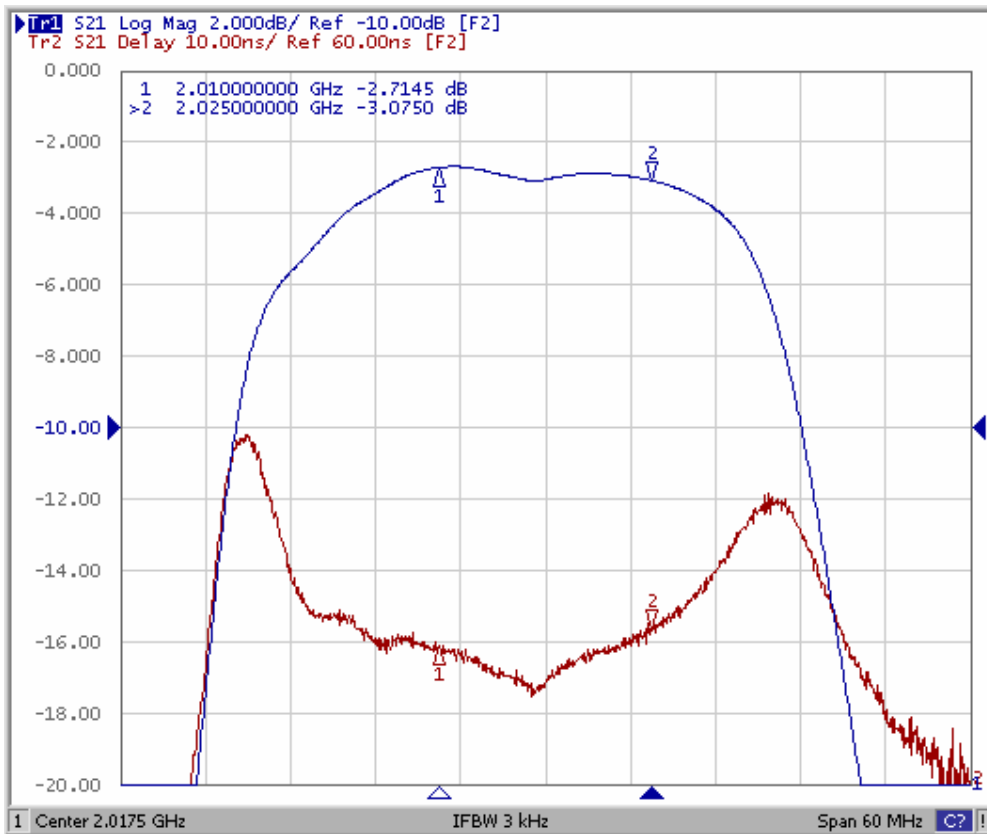
**D. MEASUREMENT CIRCUIT:**

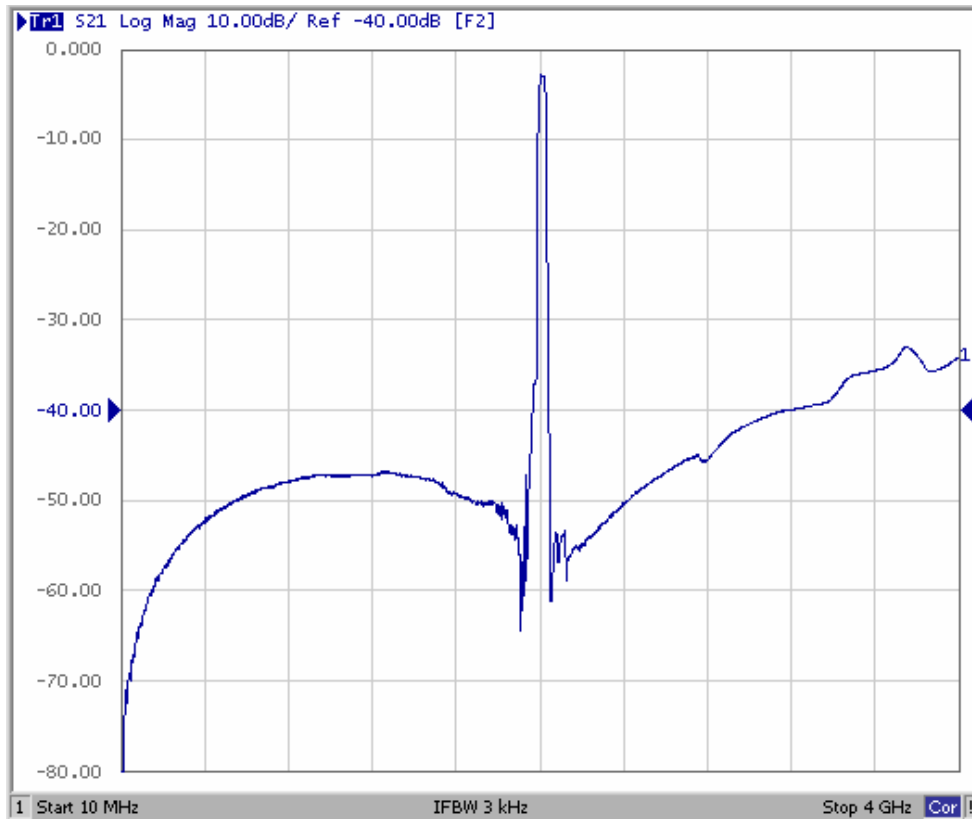


**E. PCB Footprint:**



## F. Frequency Characteristics :

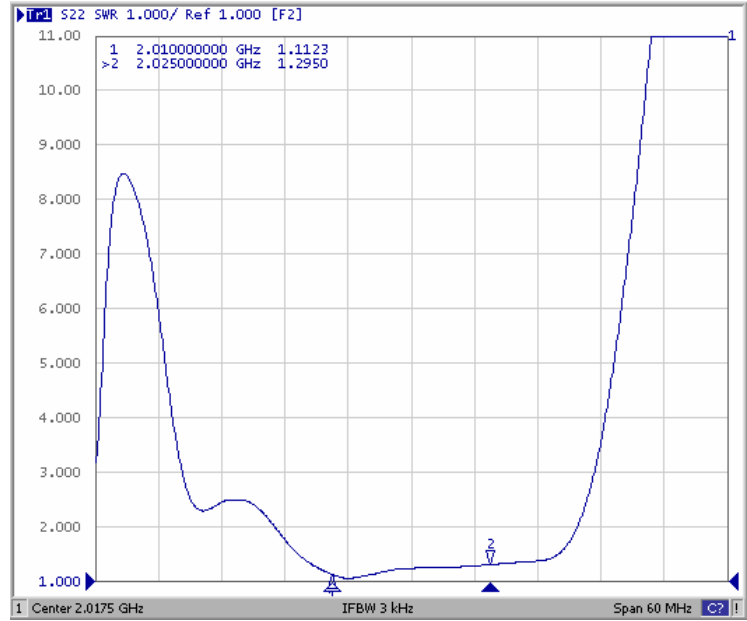
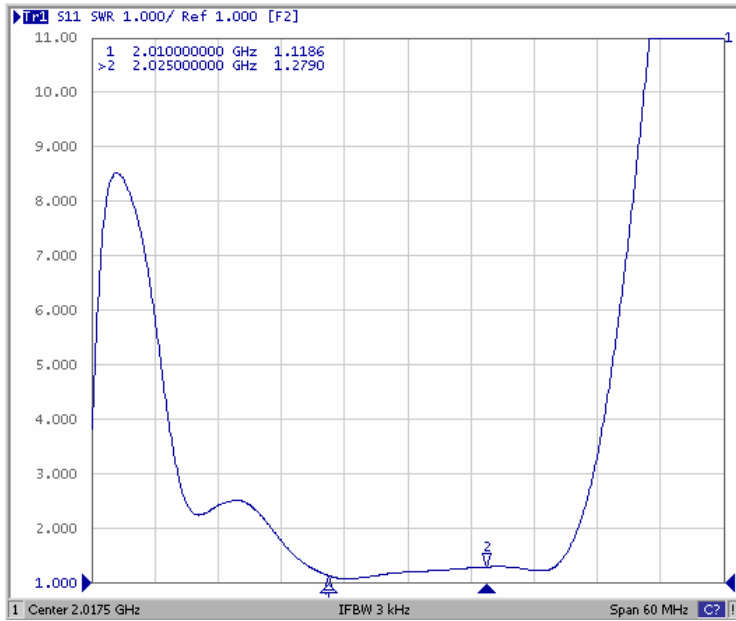




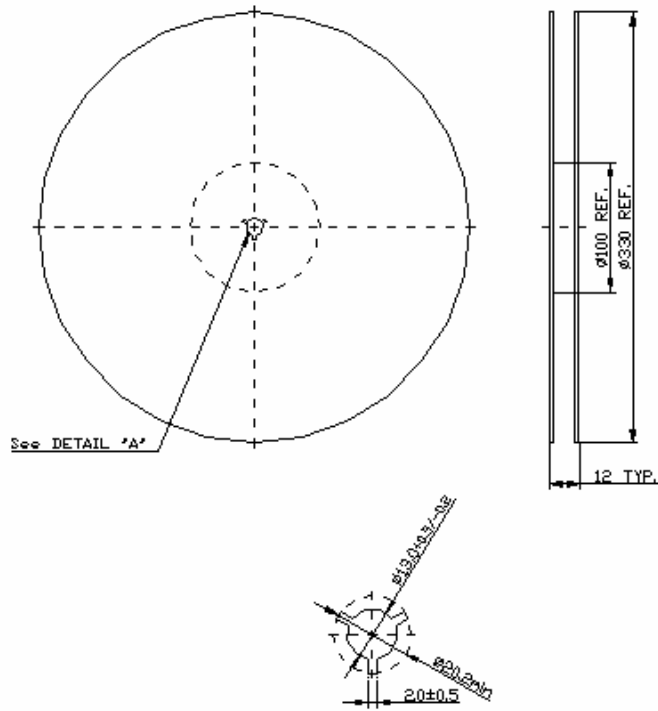
**Reflection Functions :**

**S11**

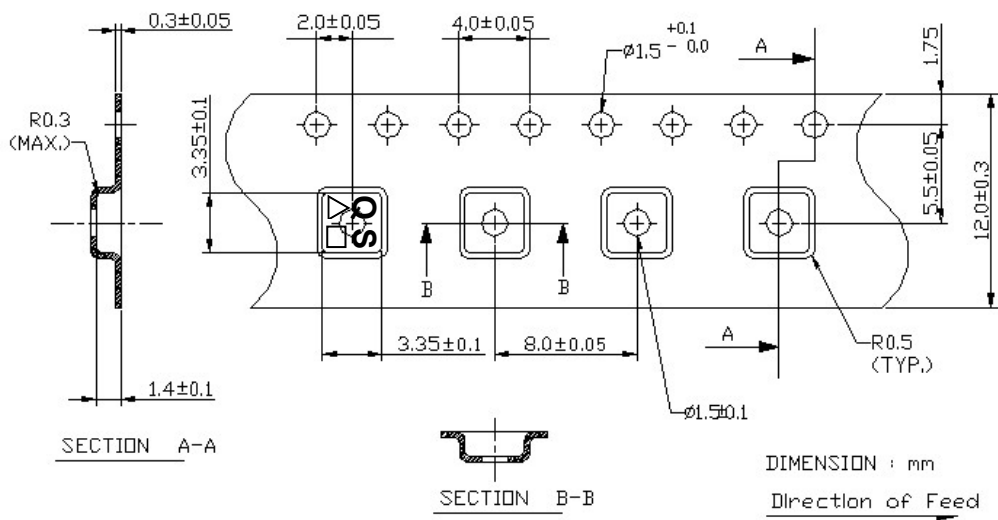
**S22**



**G. PACKING:**  
**1. REEL DIMENSION**



**2. TAPE DIMENSION**



**H. RECOMMENDED REFLOW PROFILE :**

